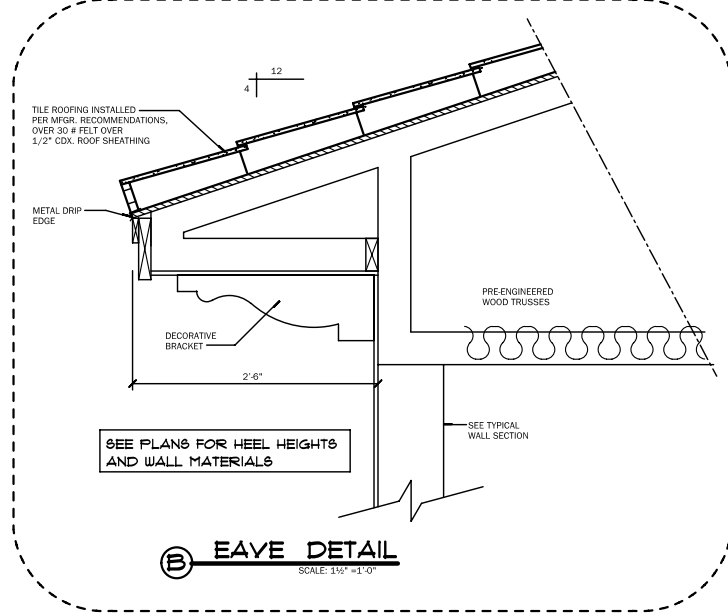
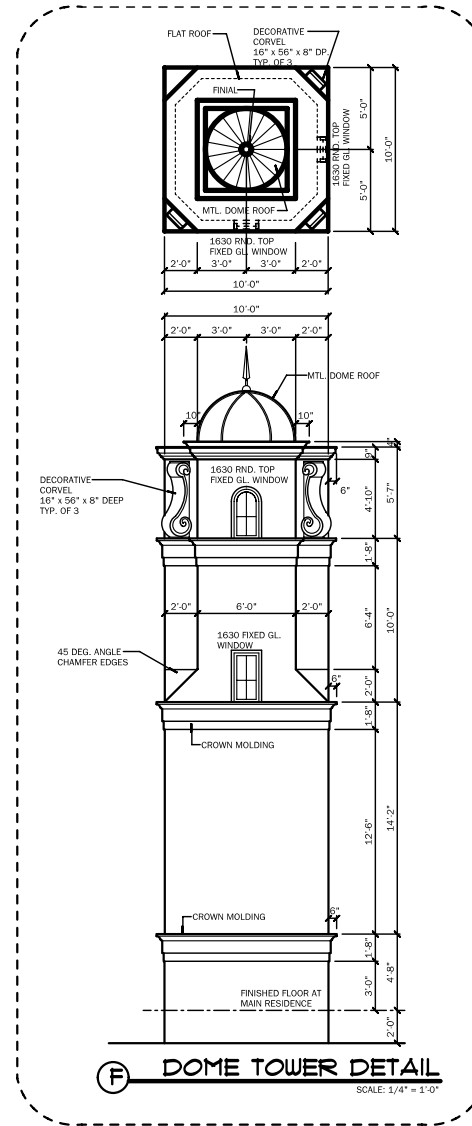


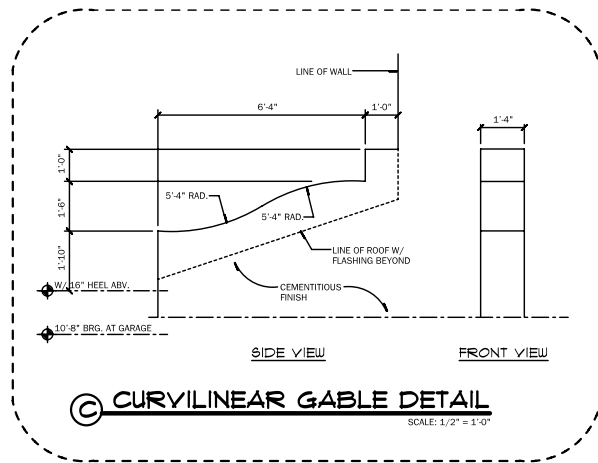
**A EAVE DETAIL**  
SCALE: 1/4" = 1'-0"



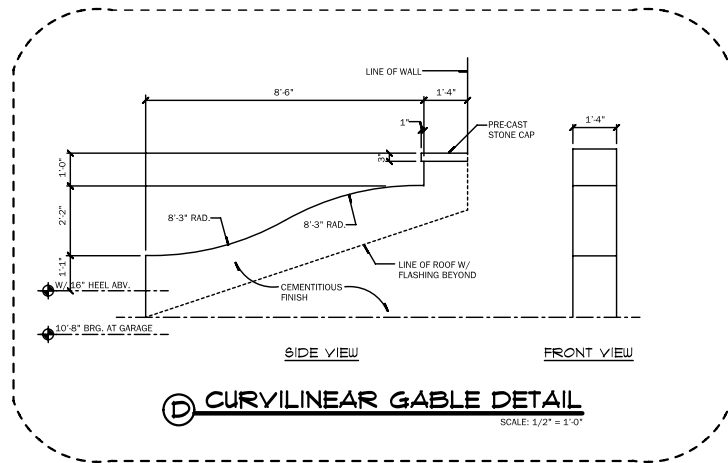
**B EAVE DETAIL**  
SCALE: 1/4" = 1'-0"



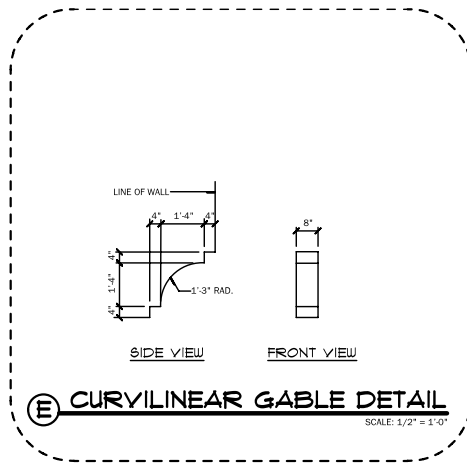
**F DOME TOWER DETAIL**  
SCALE: 1/4" = 1'-0"



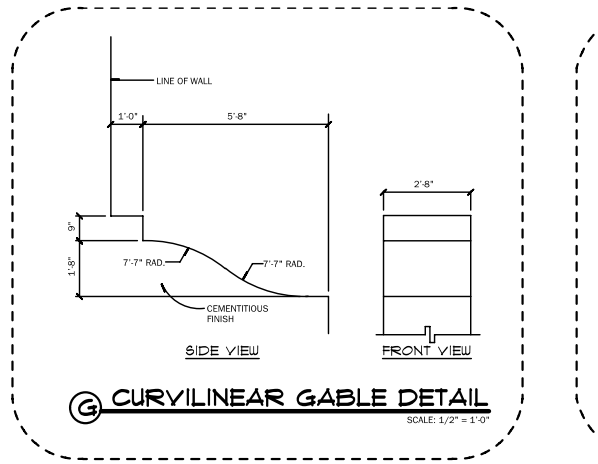
**C CURVILINEAR GABLE DETAIL**  
SCALE: 1/2" = 1'-0"



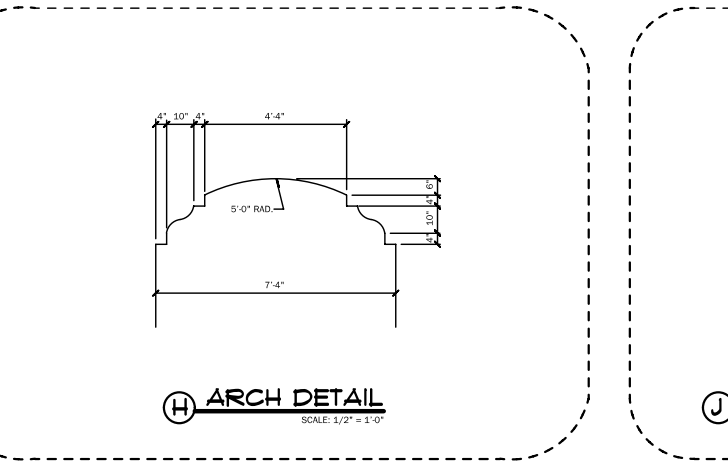
**D CURVILINEAR GABLE DETAIL**  
SCALE: 1/2" = 1'-0"



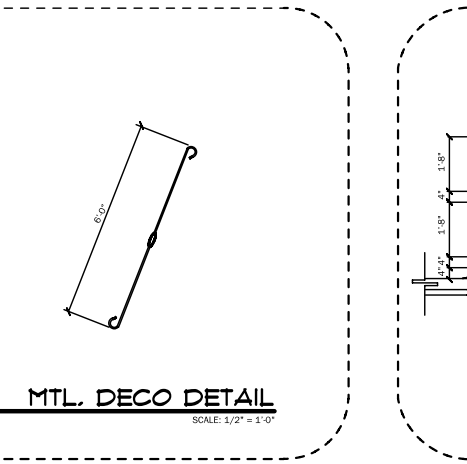
**E CURVILINEAR GABLE DETAIL**  
SCALE: 1/2" = 1'-0"



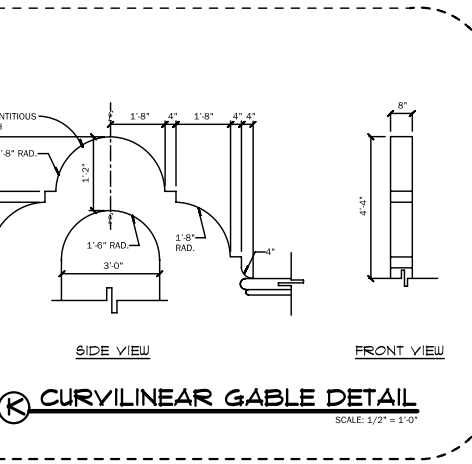
**G CURVILINEAR GABLE DETAIL**  
SCALE: 1/2" = 1'-0"



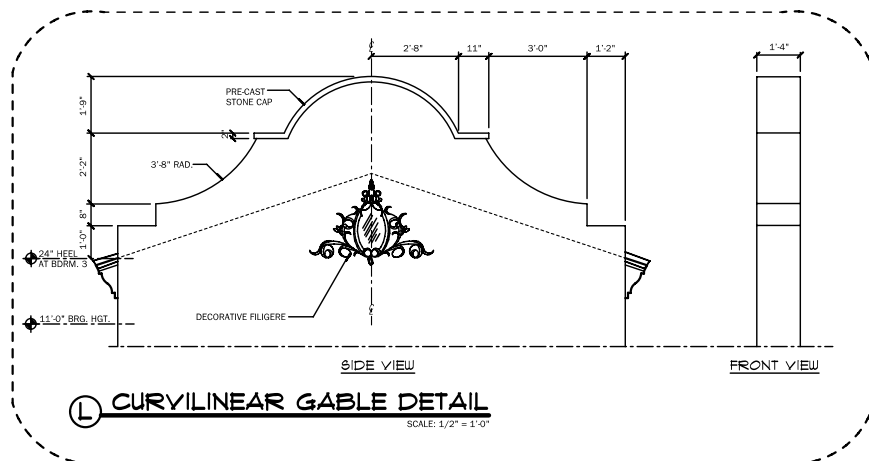
**H ARCH DETAIL**  
SCALE: 1/2" = 1'-0"



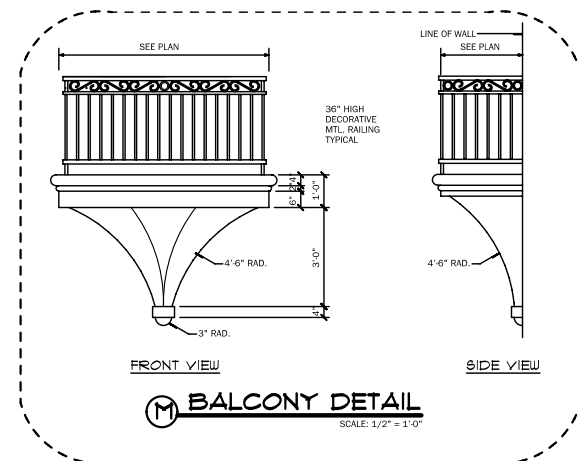
**J MTL. DECO DETAIL**  
SCALE: 1/2" = 1'-0"



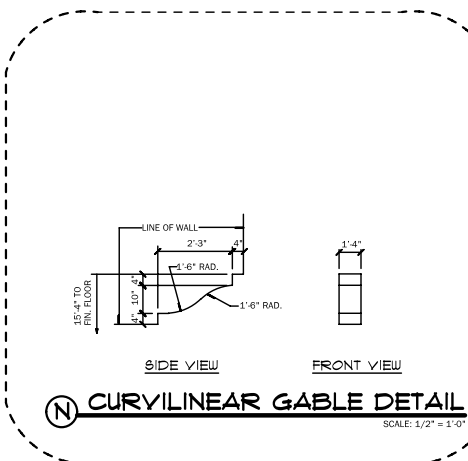
**K CURVILINEAR GABLE DETAIL**  
SCALE: 1/2" = 1'-0"



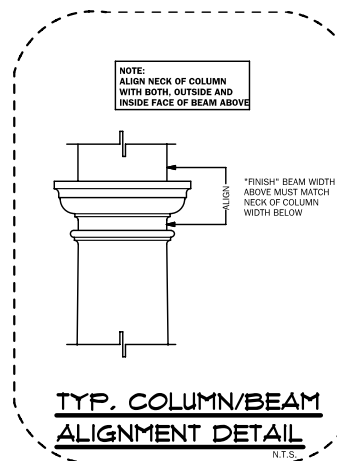
**L CURVILINEAR GABLE DETAIL**  
SCALE: 1/2" = 1'-0"



**M BALCONY DETAIL**  
SCALE: 1/2" = 1'-0"



**N CURVILINEAR GABLE DETAIL**  
SCALE: 1/2" = 1'-0"



**O TYP. COLUMN/BEAM ALIGNMENT DETAIL**  
N.T.S.